



2009 AKA MANUAL

ADDENDUM No.8

Issued: 3rd April 2009

To be implemented immediately

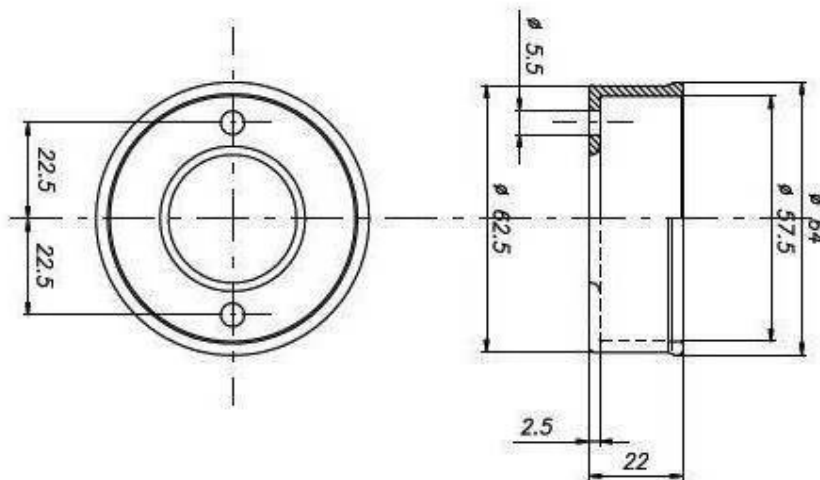
At the NKC Meeting held 27th/28th/29th March 2009, the following was approved and is now applicable.

Chapter 45 – Rule 45.18.6 (new section)

Carburettor Airbox Adapter Rule 45.18 .6 (New section)

The only permissible Noise Induction (Airbox) Adapter is the one that conforms to the drawing below.

All dimensions include a +/- 1.00mm tolerance.



**IAME Parilla Leopard 125cc RL TaG
Airbox Adaptor**

Pam Arnett
National Secretary
Australian Karting Association